



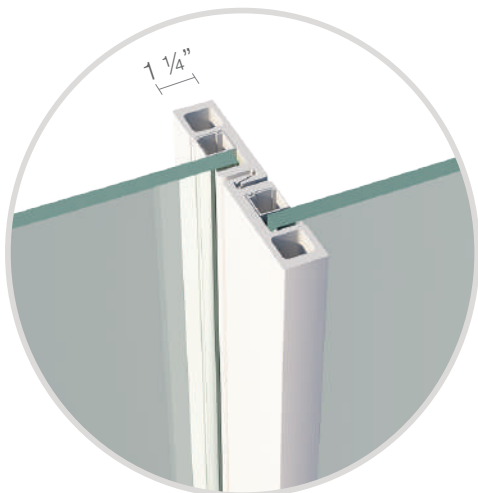
Doors and windows by: La Finestra - Rendering and home design by: Thirlwall building design.

La Finestra Perfetta Line is the answer of the revival of modern architectural design. Our innovative system, which encompasses clean and straight lines, focuses on an ultra-slim design with large glass surfaces with minimal details, tailored to the discerning consumer who wishes to maximize their view with as little obstruction as possible.

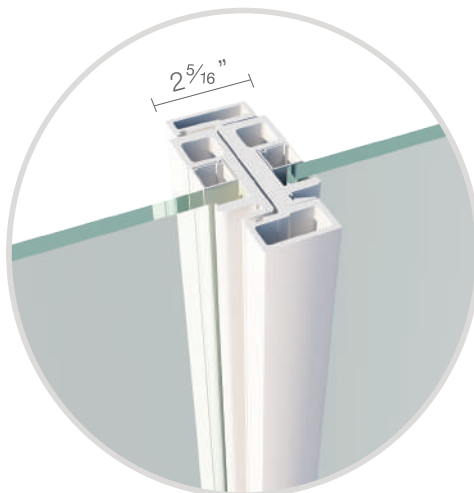
The Perfetta Line has been created to assist designers looking to achieve an overall contemporary architectural package that complements the interior with a streamlined and distinctive look reflecting today's modern and minimalistic trends.

MAIN FEATURES

- **Innovative** slim profile
- **Slimmest** interlock profile: 1 1/4"
- **Slimmest** central meeting stile profile: 2 5/16"
- **Oversized** panels of 6' x 10' or 5' x 12'
- **Slimmest** corner union profile 4" x 4"
- **Easy** opening: 12 pounds continuous operating force and 20 pound on initial operating force on huge 60 sq. Ft. panels.
- Stainless steel interior guide and **precision** bearing wheels.



Interlock detail



Central meeting stiles detail

AVAILABLE FINISHES

White, Espresso (bronze) and custom finishes available upon request

STANDARD GLASS

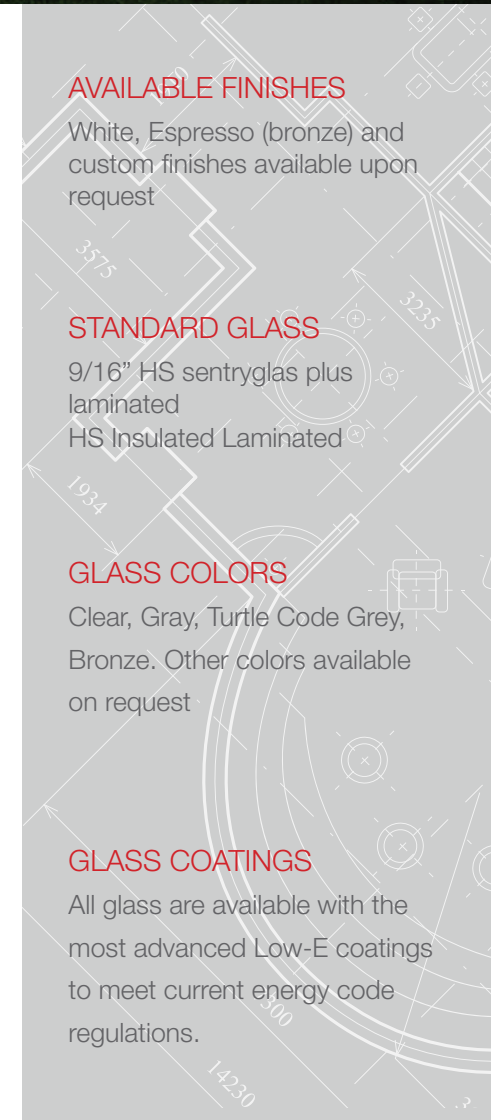
9/16" HS sentryglas plus laminated
HS Insulated Laminated

GLASS COLORS

Clear, Gray, Turtle Code Grey, Bronze. Other colors available on request

GLASS COATINGS

All glass are available with the most advanced Low-E coatings to meet current energy code regulations.



TECHNICAL DETAILS

DESCRIPTION	2-TRACK	3-TRACK	4-TRACK
PRODUCT APPROVAL	YES	YES	YES
AVAILABLE CONFIGURATIONS	XX/OX/XO –OXO-OXXO	XXX/OXX/XXO – OXXXXO	OXXX / XXXO / OXXXXXXO /
MAX. PSF (Please see product approval for sizes and pressures chart)	+80/-100 PSF UP TO 144" TALL	+80/-100 PSF UP TO 144" TALL	+80/-100 PSF UP TO 144" TALL
WATER INFILTRATION RESISTANCE	12 PSF UP TO 120" TALL 12 PSF UP TO 144" TALL	12 PSF UP TO 120" TALL 12 PSF UP TO 144" TALL	12 PSF UP TO 120" TALL 12 PSF UP TO 144" TALL
FORCED ENTRY TEST	PASSED	PASSED	PASSED
TRACK WIDTH	5.550"	8.298"	11.558"

ENERGY VALUES

GLASS TYPES	U-FACTOR	SHGC
CLEAR LOWe 366	0.98	0.25
GRAY LOWe 366	0.98	0.25
CLEAR INS LOWe 366*	0.74	0.18
CLEAR LOWe 340/i89**	0.60	0.23
CLEAR LOWe 366/i89**	0.60	0.30

**Meets 2015 Energy Code and Turtle Code *Meets 2015 Energy Code

SIZE CHART - FLORIDA APPROVAL No. FL #21576.1-R1			
MAX PANEL WIDTH	MAX PANEL HEIGHT	PSF (+)	PSF (-)
72"	120"	66	83
60"	144"	80	100

La Finestra LC

2790 NW 104th Court Miami, Florida 33172
 Customer Service – Ph: (305) 599-8093 Email: sales@lafinestra.us
 www.lafinestra.us

